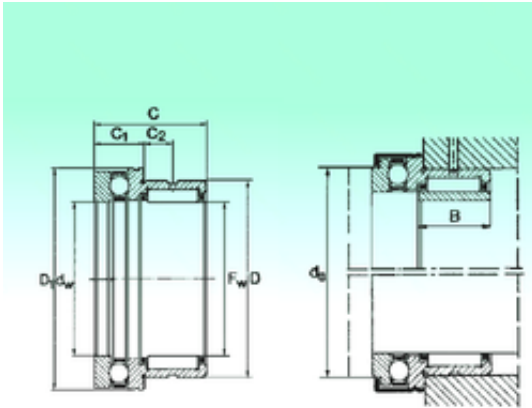




# BEARING-MALAYSIA SDN.BHD.



NKS 50 Bearing 2D drawings and 3D CAD models

## NBS NKX 50 Complex bearing

Bearing No. NKX 50

Size	50x62x35 mm
Bore Diameter	50 mm
Outer Diameter	62 mm
Width	35 mm
d	50 mm
Fw	50 mm
D	62 mm
C	35 mm
C1	14 mm
D1	70,2 mm
D2	71,5 mm
C2	10 mm
da	65,5 mm
Weight	0,28 Kg
Dynamic load rating radial (C)	36 kN
Dynamic load rating axial (C)	28 kN
Static load rating radial (C0)	72 kN
Static load rating axial (C0)	72 kN