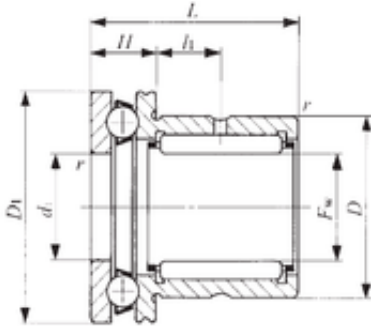




BEARING-MALAYSIA SDN.BHD.

IKO NAX 3030 Complex bearing



Bearing No. NAX 3030

Bore Diameter	30 mm
Outer Diameter	42 mm
Fw	30 mm
D	42 mm
D1	47 mm
d1	30 mm
r min.	0,6 mm
H	11 mm
L	30 mm
L1	9,5 mm
da min.	40 mm
Weight	0,145 Kg
Dynamic load rating radial (C)	25,1 kN
Dynamic load rating axial (C)	20,4 kN
Static load rating radial (C0)	40,1 kN
Static load rating axial (C0)	33,6 kN

NAX 3030 Bearing 2D drawings and 3D CAD models