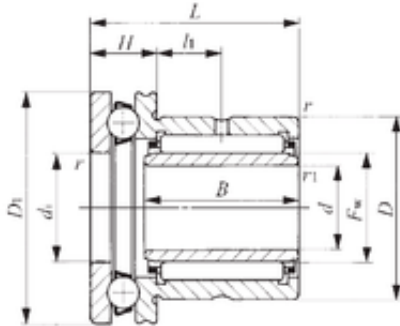




# BEARING-MALAYSIA SDN.BHD.

30 mm x 47 mm x 20 mm IKO NAXI 3030

Complex bearing



Bearing No. NAXI 3030

Bore Diameter	30 mm
Outer Diameter	47 mm
d	30 mm
Fw	35 mm
D	47 mm
D1	52 mm
B	20 mm
d1	35 mm
r min.	0,6 mm
r1 min.	0,3 mm
H	12 mm
L	30 mm
L1	9 mm
da min.	45 mm
db	34 mm
Weight	0,208 Kg
Dynamic load rating radial (C)	26,9 kN
Dynamic load rating axial (C)	21,2 kN
Static load rating radial (C0)	46,2 kN
Static load rating axial (C0)	37,6 kN
Category	Bearings
Inventory	0.0
Manufacturer Name	IKO
Minimum Buy Quantity	N/A

NAXI 3030 Bearing 2D drawings and 3D CAD models



## BEARING-MALAYSIA SDN.BHD.

Weight / Kilogram	0
Product Group	B04144