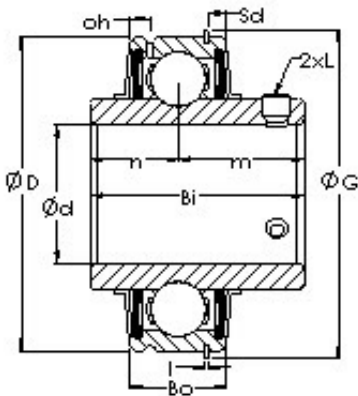




BEARING-MALAYSIA SDN.BHD.



AST ER201-8 Bearing unit

Bearing No. ER201-8

Bore Diameter	12,7 mm
Outer Diameter	47 mm
Bearing Type	Inch Size Bore Diameter
Bore Dia (d)	12.7000
Outer Dia (D)	47.0000
Outer Width (Bo)	16.0000
Inner Width (Bi)	31.0000
Dynamic Load Rating (Cr)	12,841
Static Load Rating (Cor)	6,668
Bearing Inner Race Width - Short Side (n)	12.7000
Bearing Inner Race Width - Extended Side (m)	18.3000
Bearing Collar Set Screw (L) - 1/4-28UNF	1/428UNF
Snap Ring Dia. (G)	52.5000
Snap Rinf Location (Sd)	2.3800
Snap Ring Thickness (l)	1.0700
Relubrication Hole Location (oh)	4.0000
Shaft Size (ds)	1/2
Weight (g)	217.72

ER201-8 Bearing 2D drawings and 3D CAD models