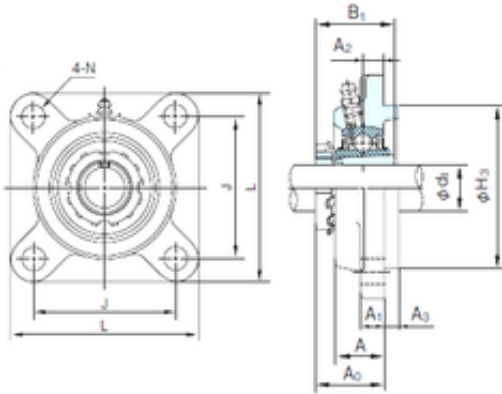




BEARING-MALAYSIA SDN.BHD.

NACHI UKFS308+H2308 Bearing unit



Bearing No. UKFS308+H2308

Bore Diameter	35 mm
d1	35 mm
H3	115 mm
A0	40 mm
A	30 mm
A1	17 mm
B1	46 mm
J	112 mm
L	150 mm
N	19 mm
Bolt (G)	M16
A2	13 mm
A3	10 mm

UKFS308+H2308 Bearing 2D drawings and 3D CAD models