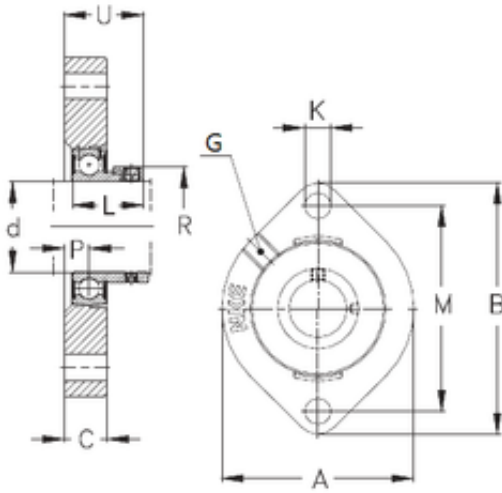




BEARING-MALAYSIA SDN.BHD.

NKE GLCTE35 Bearing unit

Bearing No. GLCTE35



GLCTE35 Bearing 2D drawings and 3D CAD models

Bore Diameter	35 mm
d	35 mm
P	12,4 mm
U	41,8 mm
K	11,5 mm
A	94 mm
B	126 mm
C	22 mm
L	38,9 mm
M	100 mm
R	51 mm
Thread (G)	R1/8 "