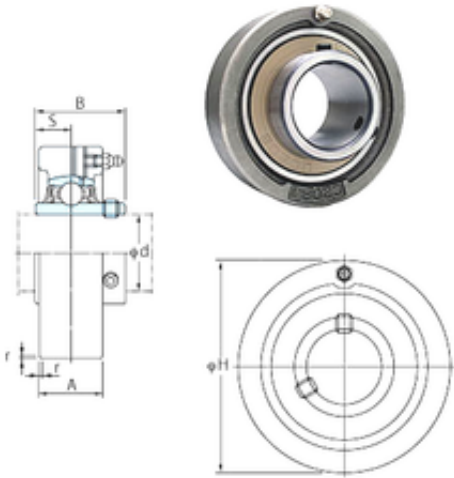




BEARING-MALAYSIA SDN.BHD.

FYH UCC316 Bearing unit

Bearing No. UCC316



UCC316 Bearing 2D drawings and 3D CAD models

Bore Diameter	80 mm
Width	86 mm
d	80 mm
r	4 mm
A	60 mm
B	86 mm
H	200 mm
S	34 mm
Weight	9,2 Kg
Basic dynamic load rating (C)	123 kN
Basic static load rating (C0)	86,7 kN