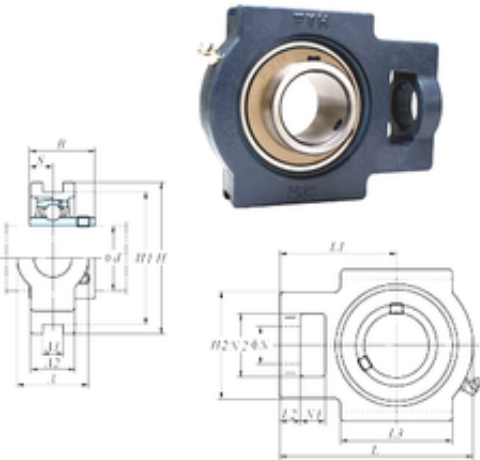




BEARING-MALAYSIA SDN.BHD.

FYH UCT308 Bearing unit

Bearing No. UCT308



UCT308 Bearing 2D drawings and 3D CAD models

Bore Diameter	40 mm
d	40 mm
L2	17 mm
L3	89 mm
A	50 mm
A1	18 mm
B	52 mm
H	124 mm
H1	112 mm
H2	83 mm
L	162 mm
L1	100 mm
N	32 mm
N1	22 mm
S	19 mm
A2	34 mm
N2	50 mm
Weight	3 Kg
Basic dynamic load rating (C)	40,7 kN
Basic static load rating (C0)	24 kN
Category	Mounted Units & Inserts
Inventory	0.0
Manufacturer Name	FYH BEARING UNITS
Minimum Buy Quantity	N/A
Weight / Kilogram	0
Product Group	M06110



BEARING-MALAYSIA SDN.BHD.