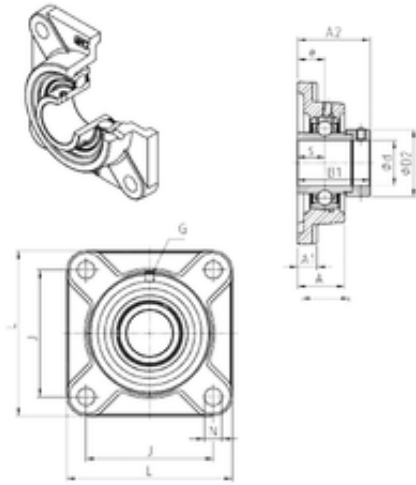




BEARING-MALAYSIA SDN.BHD.



SNR EXF206 Bearing unit

Bearing No. EXF206

Bore Diameter	30 mm
d	30 mm
e	18 mm
s	18,2 mm
A	31 mm
A1	13 mm
B1	48,3 mm
D2	44,5 mm
J	83 mm
L	108 mm
N	12 mm
Thread (G)	M6x1
A2	48,1 mm
Weight	1,2 Kg
Basic dynamic load rating (C)	19,5 kN

EXF206 Bearing 2D drawings and 3D CAD models