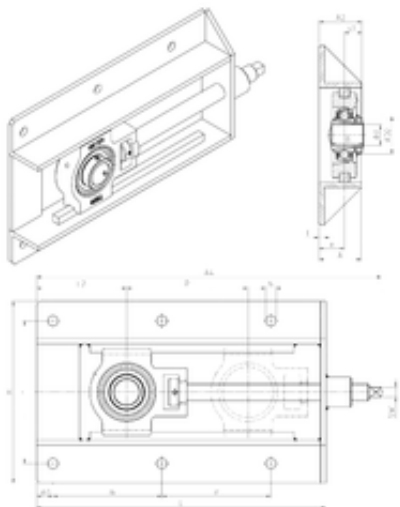




BEARING-MALAYSIA SDN.BHD.

SNR UKT213H+WB Bearing unit

Bearing No. UKT213H+WB



UKT213H+WB Bearing 2D drawings and 3D CAD models

Bore Diameter	60 mm
d	60 mm
A4	699 mm
P	300 mm
e	38 mm
L2	144 mm
s1	32 mm
SW	24 mm
A	65 mm
B	65 mm
D2	85 mm
H	322 mm
J	260 mm
L	606 mm
M	260 mm
M1	22 mm
N	15 mm
T	6 mm
A2	70 mm
Weight	25,3 Kg
Basic dynamic load rating (C)	57,2 kN
A1	26 mm
A5	32 mm
B1	65 mm
d1	85 mm
G	M6x1



BEARING-MALAYSIA SDN.BHD.

H1	151 mm
H2	111 mm
L1	137 mm
L3	121 mm
N1	32 mm
N2	70 mm
C	57.2 kN
C0	40 kN
T min.	-20 ° C
T max.	100 ° C
Adapter sleeve reference	H2313
Designation of housing	T213-
Designation of bearing	UK213G2H