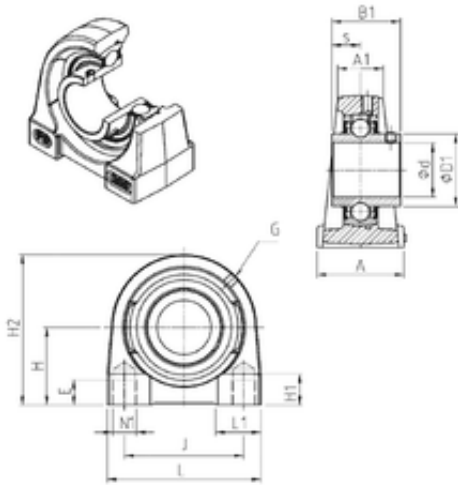




BEARING-MALAYSIA SDN.BHD.

SNR UCPG211 Bearing unit

Bearing No. UCPG211



UCPG211 Bearing 2D drawings and 3D CAD models

Bore Diameter	55 mm
d	55 mm
s	22,2 mm
A	60 mm
A1	34 mm
B1	55,6 mm
D1	69 mm
E	25 mm
H	63,5 mm
H1	25 mm
H2	126 mm
J	100 mm
L	140 mm
L1	40 mm
Thread (G)	M6x1
Thread (N1)	M16
Weight	3,5 Kg
Basic dynamic load rating (C)	43,55 kN