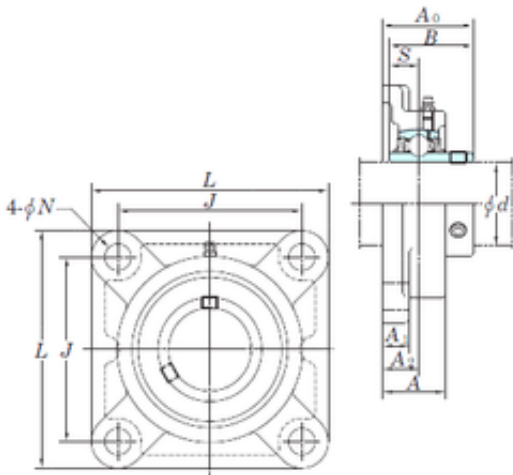




BEARING-MALAYSIA SDN.BHD.

KOYO UCF208-25E Bearing unit

Bearing No. UCF208-25E



UCF208-25E Bearing 2D drawings and 3D CAD models

Bore Diameter	39,6875 mm
d	39,6875 mm
A0	51,2 mm
A	36 mm
A1	15 mm
B	49,2 mm
J	102 mm
L	130 mm
N	14 mm
S	19 mm
Bolt (G)	1/2
A2	21 mm
Weight	1,9 Kg
Basic dynamic load rating (C)	29,1 kN
Basic static load rating (C0)	17,8 kN