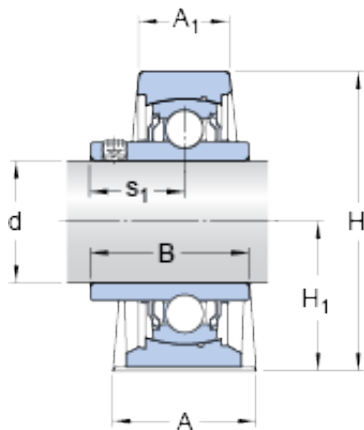




BEARING-MALAYSIA SDN.BHD.



SKF SY 2. TF/VA228 Bearing unit

Bearing No. SY 2. TF/VA228

Size	60.4x50.8x40 mm
Bore Diameter	60,4 mm
Outer Diameter	50,8 mm
Width	40 mm
d	50.8 mm
A	60.4 mm
A ₁	40 mm
H	127 mm
H ₁	63.5 mm
H ₂	23.8 mm
L	219.1 mm
J	171.5 mm
H	27.5 mm
N ₁	18 mm
B	55.6 mm
s ₁	33.4 mm
Basic dynamic load rating - C	43.6 kN
Basic static load rating - C ₀	29 kN
Limiting speed	110 r/min
Limiting temperature - T	350 ° C
Mass bearing unit	3.75 kg
Grub (set) screw - G ₂ - 3/8-24 UNF	3/824 UNF
Hexagonal key size for grub screw - H	4.762 mm

SY 2. TF/VA228 Bearing 2D drawings and 3D CAD models



BEARING-MALAYSIA SDN.BHD.

Recommended tightening torque for grub screw	16.5 N · m
Category	Pillow Block Bearings
Inventory	0.0
Manufacturer Name	SKF
Minimum Buy Quantity	N/A
Weight / Kilogram	3.86
EAN	7316571381169
Product Group	M06110
Number of Mounting Holes	2
Mounting Method	Set Screw
Housing Style	2 Bolt Pillow Block
Rolling Element	Ball Bearing
Housing Material	Cast Iron
Expansion / Non-expansion	Non-expansion
Mounting Bolts	5/8 Inch
Relubricatable	Yes
Insert Part Number	YAR 211-200-2F/VA228
Seals	M Seal
Housing Configuration	1 Piece Solid
Inch - Metric	Inch
Other Features	Single Row Standard Duty Wide Inner Race High Temperature Bearing with Graphite Has Flinger Y Bearing
Long Description	2 Bolt Pillow Block; 2" Bore; 2-1/2" Base to Center Height; Set Screw Mount; Ball Bearing; 6-3/8" Minimum Bolt Spacing; 7-1/8" Bolt Spacing Maximum; Relubricatable; Cast Iron; M Se
Category	Pillow Block
UNSPSC	31171511



BEARING-MALAYSIA SDN.BHD.

Harmonized Tariff Code	8483.20.40.40
Noun	Bearing
Keyword String	Pillow Block
Manufacturer URL	http://www.skf.com
Manufacturer Item Number	SY 2. TF/VA228
Weight / LBS	8.5
Base to Center Height	2.5 Inch 63.5 Millimeter
Bore	2 Inch 50.8 Millimeter
Actual Bolt Center to Center	0 Inch 0 Millimeter
Nominal Bolt Center to Center	6.8 Inch 171.5 Millimeter
Length Thru Bore	2.188 Inch 55.575 Millimeter
Bolt Spacing Minimum	6.375 Inch 161.925 Millimeter
Bolt Spacing Maximum	7.125 Inch 180.975 Millimeter
mounting:	Two-Bolt Base
finish/coating:	Uncoated
bore diameter:	2.0000 in
overall width:	2-3/16 in
bore type:	Round
radial static load capacity:	6530 lbf
base to bore centerline:	2.5000 in
base width:	60 mm
housing material:	Cast Iron
bolt center-to-center length:	219 mm
locking device:	Set Screw
lubrication type:	Lubrication Fitting
expansion type:	Non-Expansion Bearing (Fixed)
series:	SY
overall length:	27.5 mm



BEARING-MALAYSIA SDN.BHD.

standards met:	ISO
overall height:	63.5 mm
A ₁	40 mm
H ₁	63.5 mm
H ₂	23.8 mm
N	27.5 mm
N ₁	18 mm
s ₁	33.4 mm
Basic dynamic load rating C	43.6 kN
Basic static load rating C ₀	29 kN
Limiting temperature T max.	350 ° C
Grub (set) screw G ₂	3/8-24 UNF
Hexagonal key size for grub screw N	4.763 mm
Attachment bolts, recommended metric size G	16 mm