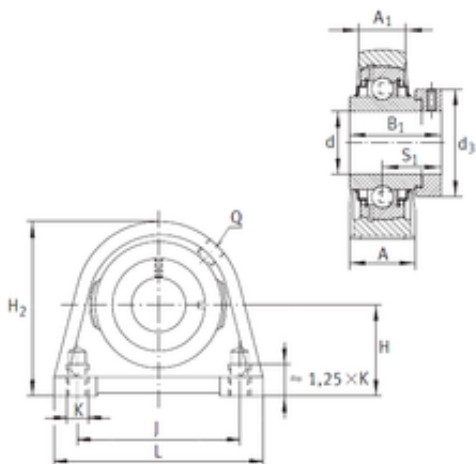




BEARING-MALAYSIA SDN.BHD.

INA RSHE55 Bearing unit

Bearing No. RSHE55



RSHE55 Bearing 2D drawings and 3D CAD models

Bore Diameter	55 mm
d	55 mm
Thread (Q)	Rp1/8
Thread (K)	M16
d3	76 mm
A	60 mm
A1	35 mm
B1	71,4 mm
H	64 mm
H2	125 mm
J	118 mm
L	150 mm
S	43,6 mm
Weight	3,52 Kg
Basic dynamic load rating (C)	43,5 kN
Category	Pillow Block Bearings
Inventory	0.0
Manufacturer Name	SCHAEFFLER GROUP
Minimum Buy Quantity	N/A
Weight / Kilogram	4.455
EAN	4012802791631
Product Group	M06110
Number of Mounting Holes	2
Mounting Method	Eccentric Collar
Housing Style	2 Bolt Tap Base Pillow Block
Rolling Element	Ball Bearing



BEARING-MALAYSIA SDN.BHD.

Housing Material	Cast Iron
Expansion / Non-expansion	Non-expansion
Mounting Bolts	16 Millimeter
Relubricatable	Yes
Insert Part Number	GE55KRRB
Seals	Double Land Riding Rubber Contact
Housing Configuration	1 Piece Solid
Inch - Metric	Metric
Other Features	Single Row With Set Screw
Long Description	2 Bolt Tap Base Pillow Block; 55MM Bore; 63.5MM Base to Center Height; Eccentric Collar Mount; Ball Bearing; Relubricatable; Cast Iron; Double Land Riding Rubber Contact; Non-expansion
Category	Pillow Block
UNSPSC	31171511
Harmonized Tariff Code	8483.20.40.40
Noun	Bearing
Keyword String	Pillow Block
Manufacturer URL	http://www.ina.com
Manufacturer Item Number	RSHE55
Weight / LBS	7.76
Length Thru Bore	2.811 Inch 71.4 Millimeter
Bore	2.165 Inch 55 Millimeter
Bolt Spacing Maximum	0 Inch 0Millimeter
Base to Center Height	2.5 Inch 63.5 Millimeter
Bolt Spacing Minimum	0 Inch 0Millimeter
Actual Bolt Center to Center	4.6 Inch 117.5Millimeter
Nominal Bolt Center to	4.6 Inch 118 Millimeter



BEARING-MALAYSIA SDN.BHD.

Center	
--------	--