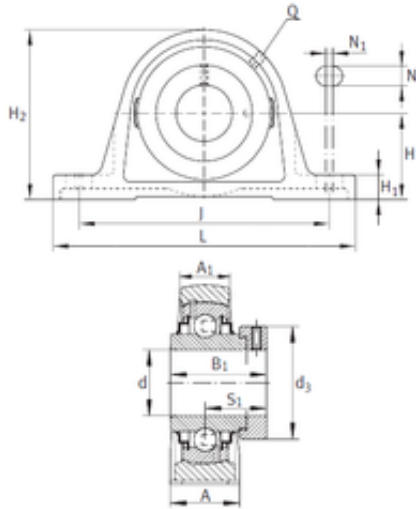




BEARING-MALAYSIA SDN.BHD.



INA RASE7/8 Bearing unit

Bearing No. RASE7/8

Bore Diameter	22,225 mm
d	22,225 mm
S1	27,001 mm
Thread (Q)	1/8 NPT
d3	37,491 mm
A	37,008 mm
A1	21,997 mm
B	44,501 mm
H	36,526 mm
H1	15,494 mm
H2	71,451 mm
J	104,801 mm
L	139,7 mm
N	11,989 mm
N1	9,5 mm
Category	Pillow Block Bearings
Inventory	0.0
Manufacturer Name	SCHAEFFLER GROUP
Minimum Buy Quantity	N/A
Weight / Kilogram	0.9
Product Group	M06110
Number of Mounting Holes	2
Mounting Method	Eccentric Collar
Housing Style	2 Bolt Pillow Block
Rolling Element	Ball Bearing
Housing Material	Cast Iron

RASE7/8 Bearing 2D drawings and 3D CAD models



BEARING-MALAYSIA SDN.BHD.

Expansion / Non-expansion	Non-expansion
Relubricatable	Yes
Insert Part Number	G1014KRRB
Seals	Double Land Riding Rubber Contact
Housing Configuration	1 Piece Solid
Inch - Metric	Inch
Other Features	Single Row Standard Shaft Height With Set Screw
Long Description	2 Bolt Pillow Block; 7/8" Bore; 1-7/16" Base to Center Height; Eccentric Collar Mount; Ball Bearing; 3.751" Minimum Bolt Spacing; 4-1/2" Bolt Spacing Maximum; Relubricatable; Cast
Category	Pillow Block
UNSPSC	31171511
Harmonized Tariff Code	8483.20.40.40
Noun	Bearing
Keyword String	Pillow Block
Manufacturer URL	http://www.ina.com
Manufacturer Item Number	RASE7/8
Weight / LBS	1.985
Bolt Spacing Maximum	4.5 Inch 114.3Millimeter
Actual Bolt Center to Center	0 Inch 0Millimeter
Bolt Spacing Minimum	3.751 Inch 95.275Millimeter
Length Thru Bore	1.748 Inch 44.4 Millimeter
Bore	0.875 Inch 22.225 Millimeter
Nominal Bolt Center to Center	4.1 Inch 105 Millimeter
Base to Center Height	1.438 Inch 36.525



BEARING-MALAYSIA SDN.BHD.

	Millimeter
--	------------