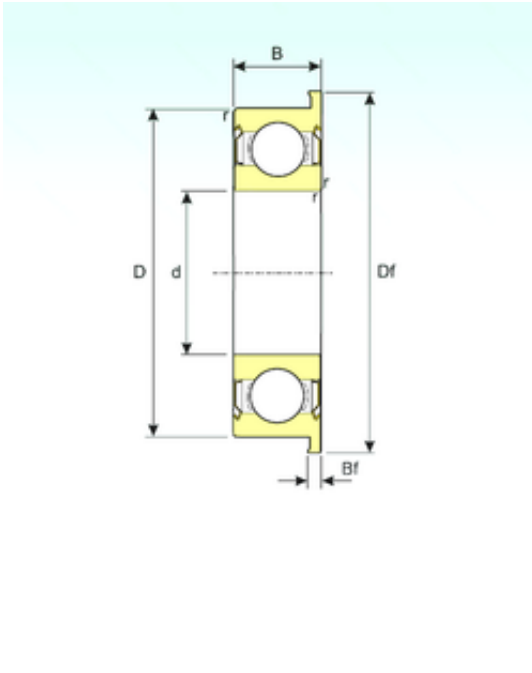




BEARING-MALAYSIA SDN.BHD.



F698ZZ Bearing 2D drawings and 3D CAD models

8 mm x 19 mm x 6 mm ISB F698ZZ Ball bearing

Bearing No. F698ZZ

Size	8x19x6 mm
Bore Diameter	8 mm
Outer Diameter	19 mm
Width	6 mm
d	8 mm
D	19 mm
B	6 mm
C	6 mm
Bf	1,5 mm
Df	22 mm
r min.	0,3 mm
Basic dynamic load rating (C)	1,73 kN