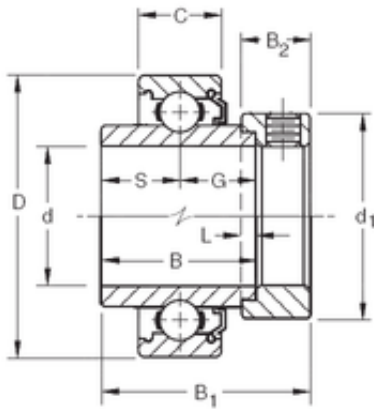




## BEARING-MALAYSIA SDN.BHD.

42,8625 mm x 85 mm x 42,86 mm Timken  
1111KL Ball bearing



Bearing No. 1111KL

Size	42.8625x85x42.86 mm
Bore Diameter	42,8625 mm
Outer Diameter	85 mm
Width	42,86 mm
d	42,8625 mm
D	85 mm
B	42,86 mm
C	19 mm
d1	60,35 mm
B1	56,36 mm
B2	18,26 mm
G	21,43 mm
L	4,76 mm
S	21,43 mm
Weight	0,89 Kg
Basic dynamic load rating (C)	36,3 kN

1111KL Bearing 2D drawings and 3D CAD models