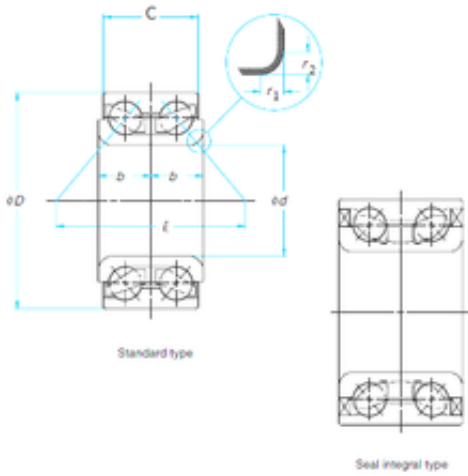




BEARING-MALAYSIA SDN.BHD.

39 mm x 68 mm x 37 mm FAG SA0024 Angular contact ball bearing



Bearing No. SA0024

Size	39x68x37 mm
Bore Diameter	39 mm
Outer Diameter	68 mm
Width	37 mm
d	39 mm
D	68 mm
B	37 mm
C	37 mm

SA0024 Bearing 2D drawings and 3D CAD models