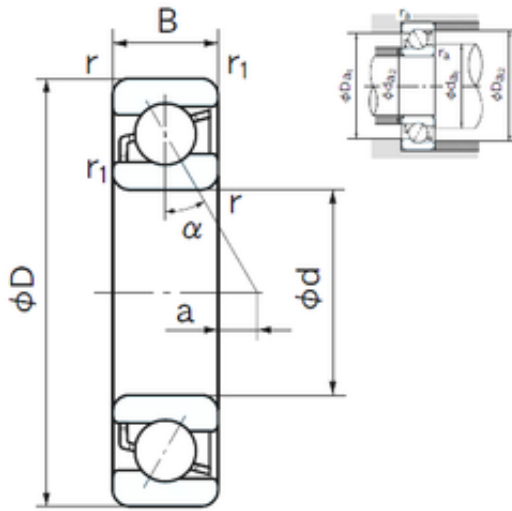




BEARING-MALAYSIA SDN.BHD.



170 mm x 260 mm x 42 mm NACHI 7034C
Angular contact ball bearing

Bearing No. 7034C

7034C Bearing 2D drawings and 3D CAD models

Size	170x260x42 mm
Bore Diameter	170 mm
Outer Diameter	260 mm
Width	42 mm
d	170 mm
D	260 mm
B	42 mm
C	42 mm
Angle (°)	15 °
a	3.8 mm
r min.	2.1 mm
r1 min.	1.1 mm
da min.	179 mm
Da max.	251 mm
ra max.	2 mm
Weight	7.87 Kg
Basic dynamic load rating (C)	206 kN
Basic static load rating (C0)	236 kN
(Grease) Lubrication Speed	3700 r/min
Configuration	Single Row
Enclosure	Open
Bore Type	Cylindrical Bore
Bore Size	170 mm
Outside Diameter	260 mm
Width	42 mm



BEARING-MALAYSIA SDN.BHD.

Fillet Radius/Chamfer	2.1 mm
r1	1.1 mm
Dynamic Load Rating	206,000 N
Static Load Rating	236,000 N
Limiting Speed - Grease	3,700 rpm
Limiting Speed - Oil	5,100 rpm
da1 (min)	179 mm
da2 (min)	179 mm
Da1 (max)	251 mm
Da2 (max)	254 mm
ra (max)	2 mm
ra1 (max)	1 mm